



Little David delivers packaging equipment that works for you.

Little David LX-800T



LX-800 Print & Apply

Functional Labeling for the Real World

This easy to use labeler is designed for 24/7 operations. Enhanced versatility, and simplified operation make the LX-800T a clear choice for real world print & apply applications.



Features of the LX-800T Include:

- ☑ Simplified Control Panel
- ☑ Easy-Read Vacuum and Pressure Gauges
- ☑ Isolated Rewind Shut-Off: Allows users to thread labels without powering down the unit
- ☑ Simplified Set-Up: From pallet to production in less than 10 minutes
- ☑ Automatic Stroke Adjustment
- ☑ UL Listed Controls

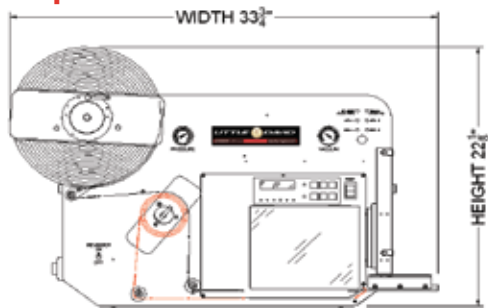


LX-800T

Features:

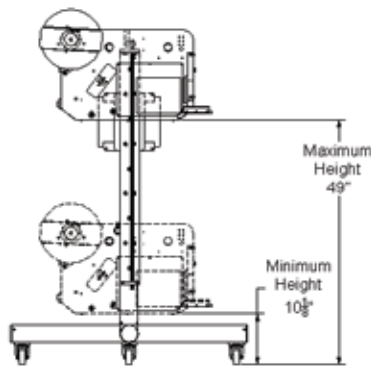
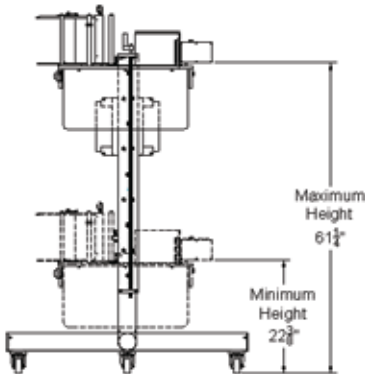
- Simplified Control Interface
- Isolated Rewind Shut Off- Disengage rewind for label threading without powering down the whole system
- Cast Aluminum Frame- Stronger with fewer individual parts
- Increased Width- Frame capable of running max. and min. width of all OEM printers
- Customizable Applicator Pads (4" x 6" Grid and Chamber, Standard)
- Smart Tamp with Air Assist
- Stainless Steel Blow Tube
- Mounting Stand can turn machine to any angle or position

Machine Specifications:



Side-Apply

Top-Apply



Printer/Applicator Data:

- Standard Printer:** Sato S84 or SE Series (Zebra Available)
- Printing Label Speed:** Up to 16" per second
- Accuracy:** +/- 1/32" (+/- .79mm) with constant product delivery
- Product Sensing:** Photoelectric (diffused proximity)
- Label Sensing:** Photoelectric
- Print Resolution:** 203 dpi, 305 dpi, and 609 dpi
- Printing Method:** Thermal transfer printer (direct thermal available)
- Communication Interface:** RS232C (optional interfaces available)
- Bar Code Symbology:** UPC-A, UPC-F, EAN-8, Code 39, Code 128 Interleaved 2/5, UCC/EAN 128, Postnet, 2D and many others.

Label Specifications:

Label Dimensions: (Sato and Zebra specs. below)

- Width: .75" - 6.6" (19.05mm- 167.64mm)
- Length: 1" to 9"(25.4mm - 228.6mm) - in excess of 9" is available

Label Roll Requirements:

- Finish: Pressure sensitive die cut with 1/8" (3.17mm) gap
- Outside Diameter: 11-7/8" (301.6mm)
- Core Diameter: 3" (76.2mm)
Optional 4" (101.6mm) for labels over 6" (152.4 mm) long
- Outside Wound

Available Options:

- Low label sensor with 3 color light pole
- Incoming Air Dryer
- Cleanable Vacuum Filters
- Various Grids and Chambers
- Hand-held Print Pad
- Spare Parts Kit

Optional G55 Print Pad:

Allows user to upload labels without bringing laptop onto the production floor

- Rugged Design
- Industrial Grade Hardware
- 2 Mbytes Flash Memory and 16 Mbytes RAM



Distributor Information:

Included Mounting Stand

- Redesigned stand allows machine to be turned to any angle or position.
- Utilizes total-lock casters



LOVESHAW
an ITW Company

2206 Easton Turnpike
P.O. Box 83
South Canaan, PA 18459
Tel: (800) 572-3434 Fax: (570) 937-3229
www.loveshaw.com

LOVESHAW Europe

A Division of ITW Ltd.

Unit 9 Brunel Gate,
West Portway Industrial Estate
Andover, Hampshire England SP 10 3 SL
Tel: (1264) 357511 Fax: (1264) 355964



©Lovesshaw, an ITW Company, 2008